

Contemporary Series Lavatory Faucet



Features

- Contemporary styling

Specifications

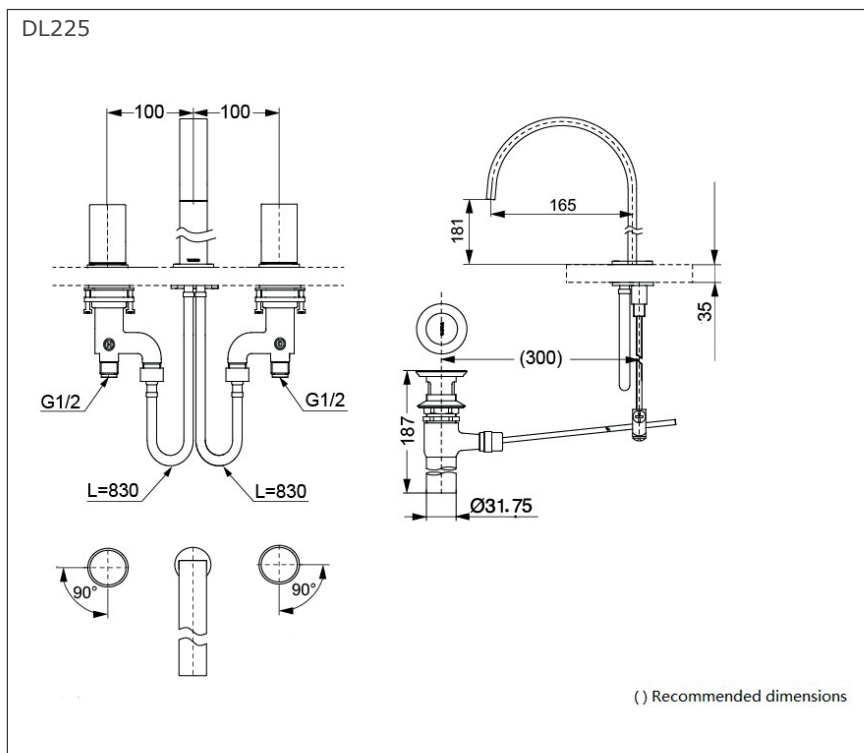
Finish : Chrome

Water Pressure : 0.05MPa~0.75MPa

Material : Brass

Parts Description

- **DL225**
8" Lavatory Faucet
W/ Pop-up Waste



Please consult a TOTO representative for details